

SharkBite Female Connector

A high-performance, time and labour saving brass push-fit fitting. Suitable for hot and cold water, central heating and recirculating hot water systems.

Overview

SharkBite fittings quickly and securely connects equally sized pipes to form a 90° pipe bend. Withstanding high temperature and pressure, the push-fit fitting is ideal for hot and cold water and central heating systems. Made from extra tough material, it is also suitable for connecting copper pipes to boilers*, as well as recirculating systems.

Manufactured from lead-free 4MS compliant DZR brass, SharkBite's slimline design looks good in front of the wall and is easily detectable when installed behind the wall.

Using a simple and instant push action, SharkBite is safer and cleaner to install than traditional methods as there is no need for tools, soldering, crimping, clamps or glue. SharkBite is also compatible with copper or JG Speedfit PEX Barrier pipe.

*excluding gas applications

Features

- Instant push-fit connection
- Stainless steel grab ring firmly and securely grips copper or plastic pipe
- KIWA Class III approved EDPM O-Ring withstands high temperatures
- Lead-free and non-toxic 4MS compliant DZR brass
- Electrically continuous without the need for extra earth bonding
- Slimline profile available in 15 to 28mm sizes

Benefits

- Durable and secure solution with high pressure and temperature rating
- 40% faster to install than traditional methods
- Secure tamperproof demounting
- Safe and simple to install using no tools, hot works, crimping, clamps or glue
- Easy to fit, especially in tight spaces when manoeuvring tools is difficult
- Brass slimline design looks good in front and behind the wall



SBE111510F

Product code	Size	Description	Bag quantity
SBE111510F	15mm x 3/8 "	Female Connector	1
SBE111510F-Z	15mm x 3/8 "	Female Connector	5
SBE111515F	15mm x 1/2 "	Female Connector	1
SBE111515F-Z	15mm x 1/2 "	Female Connector	5
SBE111815F	18mm x 1/2 "	Female Connector	1
SBE111815F-Z	18mm x 1/2 "	Female Connector	5
SBE112215F	22mm x 1/2 "	Female Connector	1
SBE112215F-Z	22mm x 1/2 "	Female Connector	5
SBE112220F	22mm x 3/4 "	Female Connector	1
SBE112220F-Z	22mm x 3/4 "	Female Connector	5
SBE112825F	28mm X 1"	Female Connector	1
SBE112825F-Z	28mm X 1"	Female Connector	5



*For copper pipe 12-28mm



*For copper pipe 12-28mm & JG Speedfit PEX Barrier Pipe 12mm and 15mm

SharkBite Female Connector

Working pressures and temperatures

Size	Pipe	Pressure/temperature			
15mm	PEX-B	12 Bar / -20°C min	12 Bar / 20°C max	6 Bar / 65°C min	6 Bar / 95°C max
	Copper	20 Bar / -24°C min	20 Bar / 30°C max	16 Bar / 65°C min	10 Bar / 120°C max
18mm	PEX-B	12 Bar / -20°C min	12 Bar / 20°C max	6 Bar / 65°C min	6 Bar / 95°C max
	Copper	20 Bar / -24°C min	20 Bar / 30°C max	16 Bar / 65°C min	10 Bar / 120°C max
22mm	PEX-B	12 Bar / -20°C min	12 Bar / 20°C max	6 Bar / 65°C min	6 Bar / 95°C max
	Copper	20 Bar / -24°C min	20 Bar / 30°C max	16 Bar / 65°C min	10 Bar / 120°C max
28mm	PEX-B	12 Bar / -20°C min	12 Bar / 20°C max	6 Bar / 65°C min	6 Bar / 95°C max
	Copper	20 Bar / -24°C min	20 Bar / 30°C max	16 Bar / 65°C min	10 Bar / 120°C max

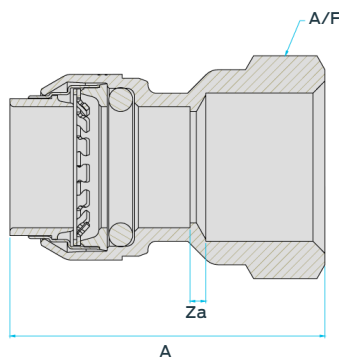
Application

- Hot and cold water
- Central heating systems
- Hot recirculating systems

Materials

Body	CW724R lead-free DZR brass
O-Ring	Ethylene-Propylene-Diene-Monomer Rubber (EPDM)
Cartridge ring	304 Stainless Steel
Grab ring	316 Stainless Steel
Disconnecting ring	Acetal Copolymer
Alignment ring	Nylon 6

Dimensions



Product code	Size	A	Za	A/F
SBE111510F	15mm x 3/8"	38mm	22mm	22mm
SBE111515F	15mm x 1/2"	41mm	22mm	25mm
SBE111815F	18mm x 1/2"	43mm	26mm	25mm
SBE112215F	22mm x 1/2"	47mm	28mm	26mm
SBE112220F	22mm x 3/4"	46mm	28mm	30mm
SBE112825F	28mm x 1"	54mm	32mm	37mm